

**ADD2 cards now used in Intel 945G as well as 915G-based PC desktops equipped with a PCI-Express\* slot; ADD2 cards are low-cost solutions that enable a DIGITAL VISUAL INTERFACE (DVI) connection**

Molex's Advanced Digital Display 2 (ADD2) adapter cards provide a convenient and cost-effective solution for connecting a DVI digital display to the graphics controller of any 915G or 946G-equipped motherboard or high-end PC with a vacant PCI Express (PCIe) 16X slot port. Simply insert the ADD2 card into the PCIe slot and it will be DVI compatible. When the computer boots-up, the system automatically loads the ADD2 card configuration information, which is stored in a serial EEPROM.

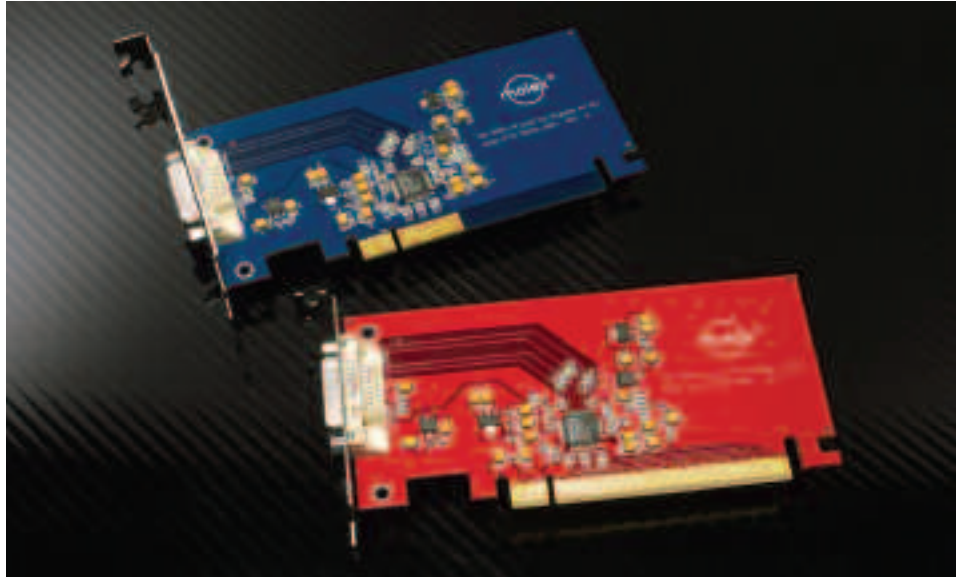
ADD2 cards are small-size boards that ensure full hardware and software compatibility, supporting the full-range of digital display resolutions from VGA (Video Graphics Array) to UXGA (Ultra Extended Graphics Array). VGA is the standard for PCs, providing a resolution of 720-by-400 pixels, while UXGA is capable of displaying 1600-by-1200 pixel resolution. Digital projectors, flat panel displays and digital CRTs are all compatible with the ADD2 cards. Intel's 915G-based desktop accepts the ADD2-N (Non-lane-reversed) for ATX systems or ADD2-R (Lane-reversed) for BTX systems. The 945G-based desktop accepts either card in either system (ATX or BTX). The ADD2-N and ADD2-R cards are available with a standard or low-profile PCIe bracket. ATX and BTX are chassis form-factors introduced by Intel. Both cards mate with MicroCross DVI-D receptacles.

Molex offers an extensive line of DVI cable assemblies. Available in custom lengths and configurations, virtually any cable requirement can be achieved.

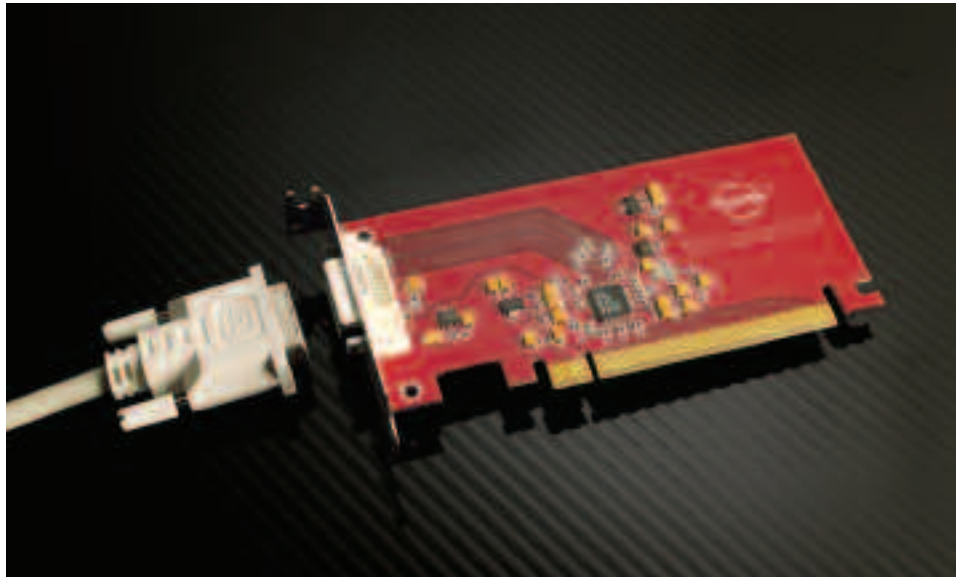
\*The PCI Express name and the PCI Express logo are trademarks of the PCI-SIG

### Features and Benefits

- Different versions available: ADD2-N (Non-lane-reversed), ADD2-R (Lane-reversed) which support different Intel chassis architectures: ATX, BTX
- Standard or low-profile bracket options provide an option according to customer chassis
- Serial EEPROM with card configuration information stored automatically loads the ADD2 configuration upon boot-up
- Dual monitor support capability is excellent for engineering and design software applications



*ADD2-N with a standard bracket (blue PCB), ADD2-R with a low-profile bracket (red PCB)*

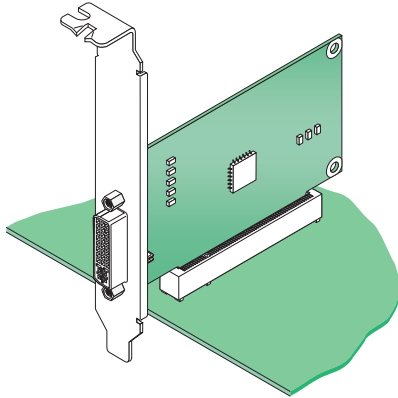


*ADD2-R with a low-profile bracket connecting to a DVI cable*

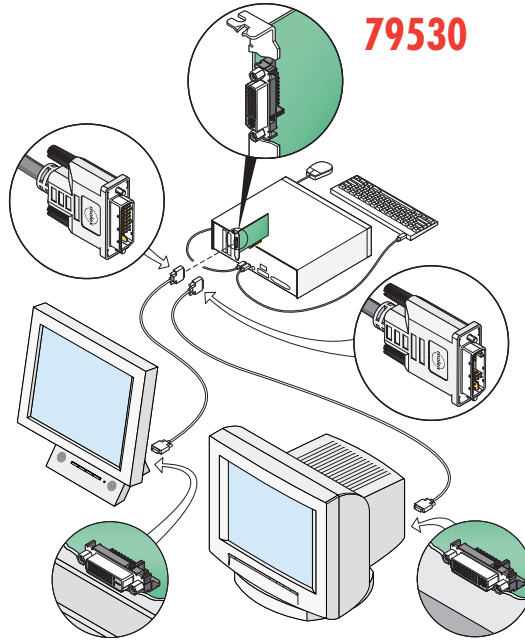
## APPLICATIONS

### Desktop PC and motherboard ATX systems

- Desktop PC Integrators
- Motherboard Manufacturers
- ATM System Manufacturers
- Medical Applications
- Kiosk Applications
- Solution Providers
- Resellers
- Value Add Resellers
- Retail Markets



# molex<sup>®</sup> MicroCross™ ADD2 Channel DVI Card Datasheet 79530



## SPECIFICATIONS

### Reference Information

Packaging: Individual antistatic bag and bulk or individual carton box

Mates With:

- PCI-Express slot in 915G ATX motherboard for ADD2-N
- PCI-Express slot in 915G BTX motherboard for ADD2-R
- PCI-Express slot in 945G motherboard for ADD2-R or ADD2-N

Designed In: Millimeters

Connects to Intel 915G-based desktop PC with a PCI-Express slot

Uses Silicon Image Sil1364 DVI transmitter chip  
*(The Sil1364 is the market's leading DVI-compliant transmitter capable of running at the full 5 Gbps single link bandwidth)*

PCI-Express gold finger connector

DVI-D single link output connector

Standard height or low-profile PCI bracket

### Mechanical

Contact Retention to DVI-D Housing: 4.45N (1 lb min.)

DVI-D Mating Force: 9.79N (2.2 lb max.)

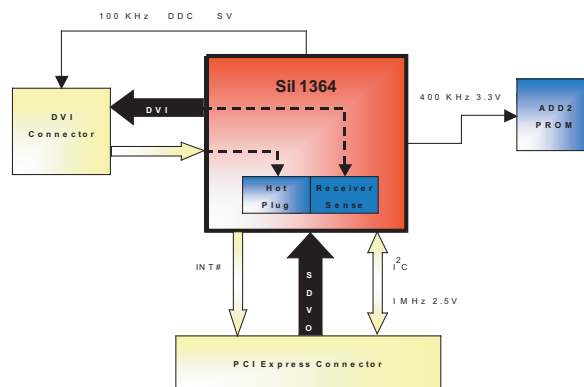
DVI-D Durability: 100 cycles

### Physical

DVI-D Contact Plating: 30µ" Gold or Gold Flash in contact area

PCI-Express Contact Plating: Gold fingers

PCB Thickness: 1.57mm (0.062")



## ORDERING INFORMATION

Order No.	Card	Bracket	Lane	Intel Chassis System
79530-5004	ADD2-R	Standard	16X	BTX
79530-5005	ADD2-N	Standard	4X	ATX
79530-5006	ADD2-R	Low-Profile	16X	BTX
79530-5007	ADD2-N	Low-Profile	4X	ATX

### Americas Headquarters

Lisle, Illinois 60532 U.S.A.  
1-800-78MOLEX  
amerinfo@molex.com

### Far East North Headquarters

Yamato, Kanagawa, Japan  
81-462-65-2324  
feninfo@molex.com

### Far East South Headquarters

Jurong, Singapore  
65-6-268-6868  
fesinfo@molex.com

### European Headquarters

Munich, Germany  
49-89-413092-0  
eurinfo@molex.com

### Corporate Headquarters

2222 Wellington Ct.  
Lisle, IL 60532 U.S.A.  
630-969-4550  
Fax: 630-969-1352

Visit our website at [www.molex.com/product/io/add2.html](http://www.molex.com/product/io/add2.html)